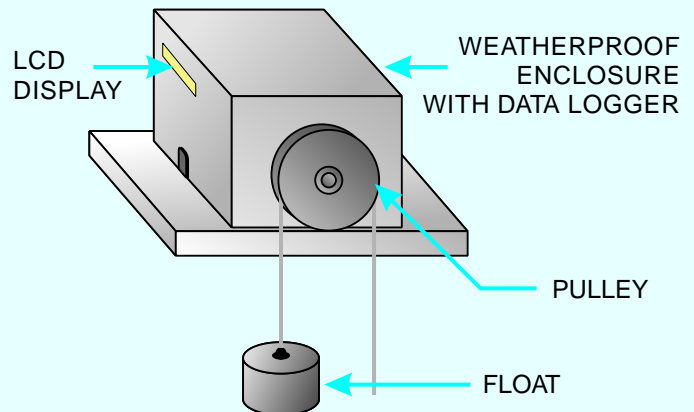


Digital Water Level Recorder



We are developing, producing and supplying Hydrological, Meteorological & Rivergauging equipments for the analysis of weather data to Various Government & Non-Government institutions. We are manufacturing Meteorological equipments certified by Indian Meteorological Department, Pune on request. Our instruments and systems fulfill in all respects to extensive level of accuracy. Weather data analysis without Computer aided measurement & logging is unthinkable today. We develop complete ready to start systems for all essential or optional components as per customer's requirement.

The unit consists of float, pulley, counter weight & rotary position sensor to keep track of the Water Level. The rotary sensor is built using highly reliable parts for durability & reliability for a long term. The electrical signals from sensor are fed to the datalogger & the water level is calculated, displayed & logged in internal memory along with date & time at user specified interval. The DWLR is using Advanced Micro-controller system & Inbuilt Real Time Clock having Leap Year compensation with battery backup. The Data can be logged at specified interval set by User. 2 MB Internal Memory suitable for 910 days of data @ 5 minutes interval. Low Power consumption having Internal 12 V SMF Battery for Backup of 50 days. Optional Solar Panel Recharging of Battery for Remote locations. 20 x 4 Alphanumeric Display for instant Data reading & Settings. External memory module & Supported Memory Module Reader for data transfer to a PC are supplied with this unit.. Another RS232 port is provided to upload data direct to PC / Laptop & stored as data file for analysis & graphical representation using suitable software.

SPECIFICATIONS :

Sensor	: Float-Pulley type & Incremental Encoder.
Range	: 0 - 10.0 Mtr. (As per request)
Resolution	: 0.01% of Full scale range
Display	: 20 x 4 Alphanumeric LCD display
Clock	: Internal RTC clock with battery backup
Logging Interval	: User selectable (1,5,10,15,30,60,120 minutes)
Internal Memory	: 128 KB Internal fixed Memory
Interface	: RS 232 port
Battery	: 12V SMF rechargeable battery
Enclosure	: Weatherproof Enclosure

* All pictures are for illustration purpose only. Dimension & Design may vary as per modification of datalogger systems.



Phone : 09879598521

Raj Instruments

Mfg. of : Hydrological, Meteorological, River Gauging & Weather Equipments

57, Shree Hari Estate, Panna Estate Road, B/h. BOC gas, N.H. 8, Rakhial, AHMEDABAD-380023, Gujarat

www.rajinstruments.com

email : raj.instruments@gmail.com